

NEOZ

UNO, ECO, PRO
Cordless Lamp
User Guide

WELCOME!

Thank you for investing in NEOZ Cordless Lighting. This user guide describes the features and functions of the Cordless lamp and charging systems. With due care your Cordless Lamp will provide many years of useful illumination.

We have incorporated over 35 years of design experience into your new NEOZ Cordless Lamp integrating an advanced electronic control system to optimise the battery charging process ensuring excellent reliability and performance. Sustainable design means that every component can be replaced if accidental breakage occurs.

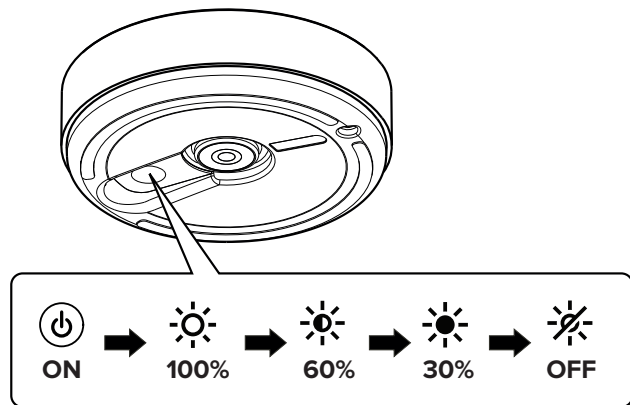
We trust you enjoy the use of this lamp and welcome and encourage customer feedback.

PETER ELLIS

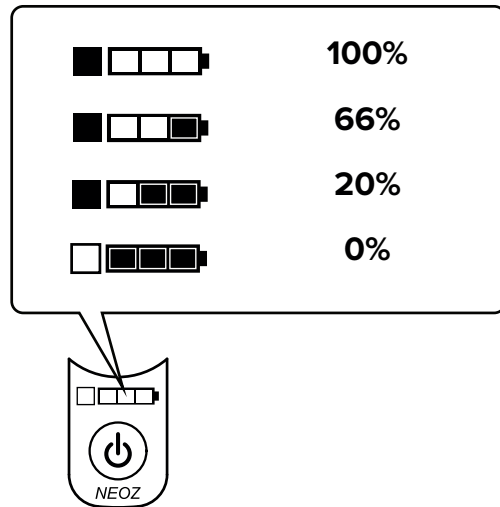
SAFETY & CARE

- Do not place lamp on an unstable surface or heat source.
- Do not use a damaged power cord.
- Do not immerse into water.
- Do not expose lamp to extreme humidity and hot environments.
- Only charge the Lamp using approved NEOZ Cordless Lamp chargers.
- Your lamp is pre-charged and ready to use.
- In commercial usage, we would highly recommend carrying one lamp in each hand to avoid lamps contacting each other, which may result in scratches and dents to lamp surfaces. This will ensure the lamps maintain a like-new appearance for the long term.

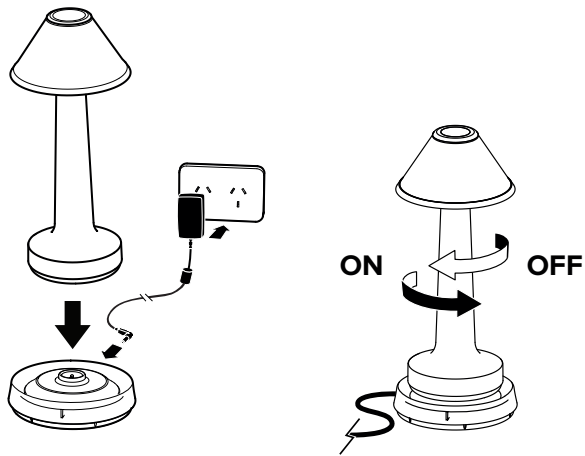
LAMP CONTROL



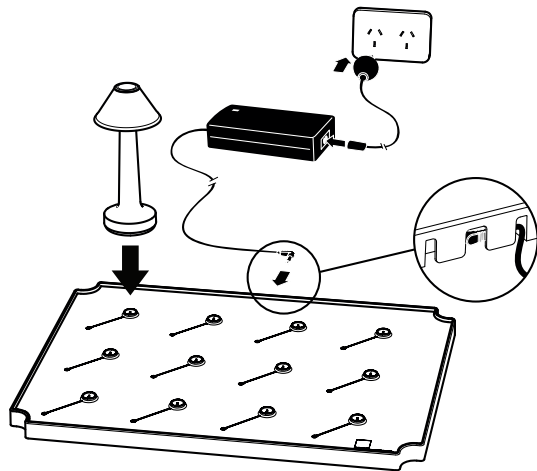
BATTERY CHARGE LEVEL DISPLAY



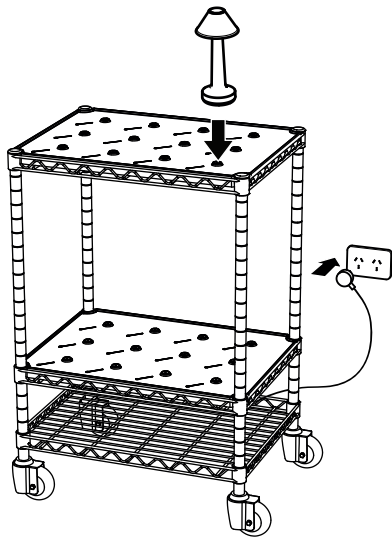
CHARGING & USING ON SINGLE BASE STATION WITH TURNING FUNCTION



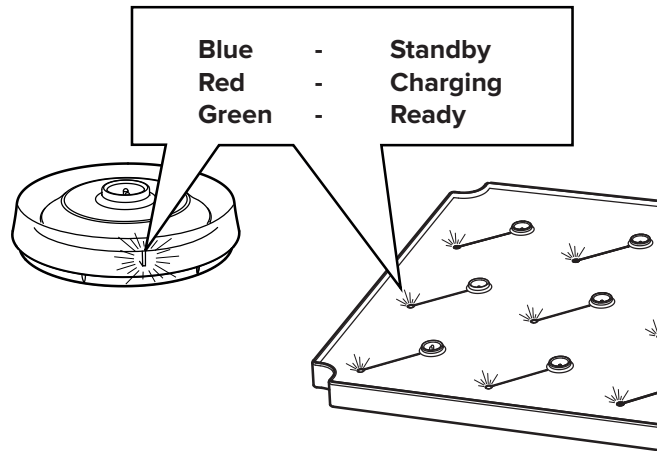
CHARGING TRAYS (SMALL / LARGE) WITH AUTO OFF FUNCTION



CHARGING TROLLEY (SMALL / MEDIUM / LARGE) WITH AUTO OFF FUNCTION



CHARGING STATUS



CLEANING

Glass Diffusers

Apply silicon based cleaner and wipe with soft cloth.

Resin Diffusers

Apply small amount of moisturising hand cream and wipe with a soft cloth.

Anodized Aluminium, Lacquered Brass, Lacquered Copper Diffusers

Clean with damp cloth.

Stainless Steel Diffusers

Clean with damp cloth. Use stainless steel polish & cleaner to remove stains and help minimize scratches.

Raw Brass Diffusers (Ritz only)

Apply liquid brass/copper polish to a cloth and rub gently over the diffuser surface. Use a second clean, dry cloth to buff the diffuser.

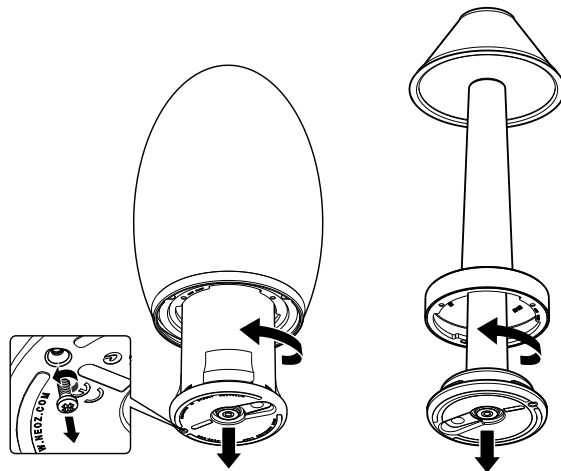
Plastic Diffusers & Parts

Clean with damp cloth.

Lamp Bottom and Base Station

Clean with damp cloth and take extra care to avoid liquid spills onto electrical contact.

REMOVING LAMP CONTROL UNIT

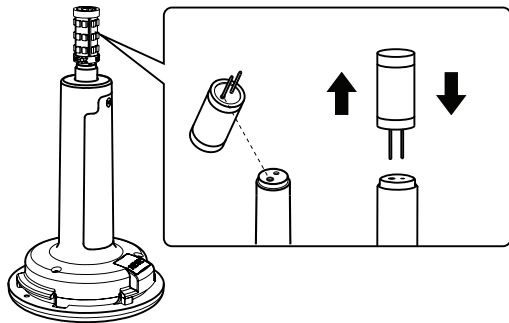


ECO & PRO

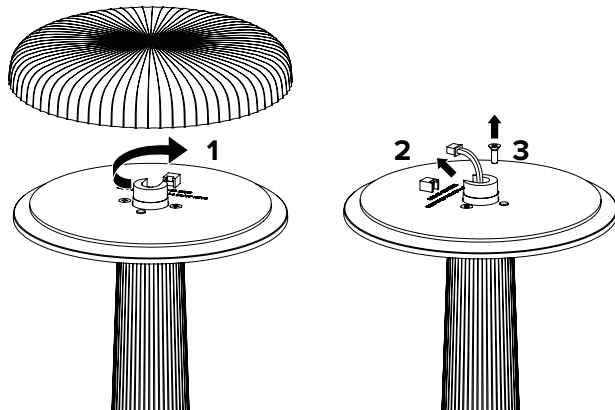
UNO

LIGHT BULB REPLACEMENT

- Only use NEOZ approved high CRI lamp type.
- Be careful not to bend the contact pin of the lamp during insertion into lamp holder.
- For UNO lamps, please make sure the +/- polarity is matched correctly.
- For light bulb replacement, please contact NEOZ or your Cordless Lamp supplier.



- For 'Apex' & 'Tall Poppy' LED Disc replacement.



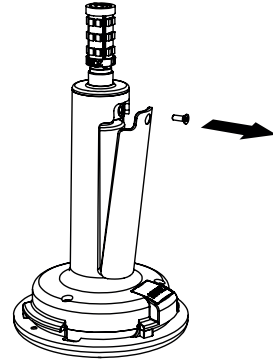
*Tall Poppy shown here, skip step 3 for Apex

BATTERY MAINTENANCE

NEOZ Cordless Lamps are powered by high-capacity rechargeable lithium-ion batteries. These batteries will perform to their optimum service life if operated with care.

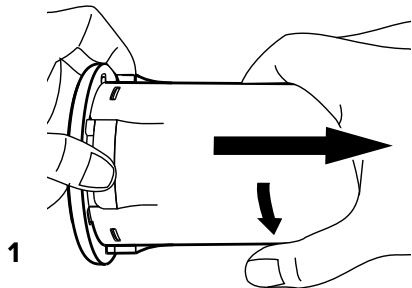
- The lamp can be recharged at anytime without the need to fully discharge. Lithium-ion batteries do not suffer from a 'memory effect'.
- Use the lamp often, rechargeable batteries like to be exercised for optimum life. Recharge the lamp at least once per month.
- Always store your lamp charged between 66% - 20%.
- Avoid high temperature. Operating and storing lamps in hot environments will impair performance and shorten battery life.
- Be careful not to drop the battery pack during installation.
- If there is any sign of damage to the battery pack, please stop using it immediately and contact NEOZ for replacement.
- For any replacement battery requirement please contact NEOZ or your Cordless Lamp supplier.
- Do not connect the battery pack to any other device other than NEOZ Cordless Lamp.

BATTERY REPLACEMENT

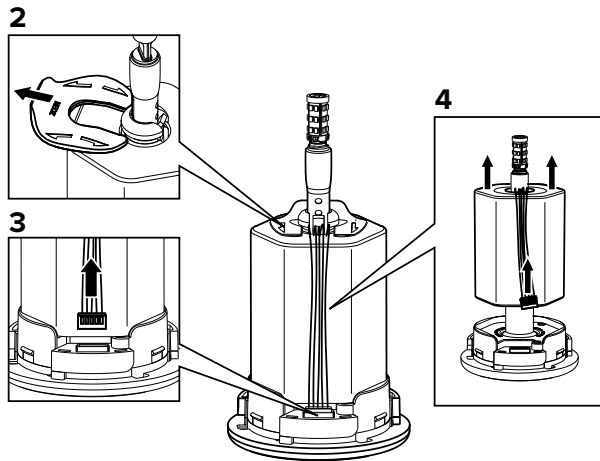


UNO

BATTERY REPLACEMENT



ECO & PRO



ECO & PRO

SPECIFICATION

Type	Battery	Charge Time	Light Source Option	Colour Temp (Kelvin)	Operating Time (hours)			Brightness (lumens)	CRI
					High	Med	Low		
UNO	1 Cell	5.5hrs	1W LED Warm White (Standard)	2600k	13	35	130	68+	95+
			1W LED Warm Candle White	1800k	13	35	130	58+	93+
			1W LED Disc Warm White	2600k	10	22	100	100+	94+
ECO	3 Cells	4.5hrs	1W LED Warm White (Standard)	2600k	30	54	130	85+	95+
			1W LED Warm Candle White	1800k	30	54	130	75+	93+
			3W LED Warm White	2600k	10	18	43	300+	92+
PRO	6 Cells	8.5hrs	1W LED Warm White (Standard)	2600k	66	116	310	85+	95+
			1W LED Warm Candle White	1800k	66	116	310	75+	93+
			3W LED Warm White	2600k	22	39	103	300+	92+

SPECIFICATION

SWITCHING INTERFACE	Switching controlled by a single-key membrane keypad. LED indicator showing battery charge level in 3 levels.
BATTERY	Panasonic Lithium-ion 2900mAh/5800mAh rechargeable battery pack. Average of 1000+ charge & discharge cycle.
LAMP CONTROL	NEOZ Cordless lamp Electronic Control System. Self diagnosis and monitoring system for lamp hardware and battery health. A built-in intelligent system for highly reliable battery recharging and light control with 3 different lighting modes switchable using the single-key keypad.
CHARGE STATUS DISPLAY	Charging status represented by a single tri-colours LED indicator located on the Base Station.
WORKING CONDITION	TEMPERATURE Charging: 0°C to 30°C Discharging: 0°C to 40°C Storage: -10°C to 25°C HUMIDITY Operation: 10% to 80% RH without condensation Storage: 10% to 50% RH without condensation

SAFETY / EMC	The NEOZ Cordless Lamp is an inherently safe, extra-low voltage (SELV) device. The NEOZ Cordless Lamps, Base Stations and Chargers conform to all relevant Australian (C Tick), Canadian (CSA), US (FCC) (CE), Saudi Standards, Metrology and Quality Organization (SASO) and European class B EMC tests for both conducted and radiated emissions. RoHS Compliant.
---------------------	---------------------------------------------------------------------------------------------------------------------------------------------------------------------------------------------------------------------------------------------------------------------------------------------------------------------------------------------------------------------

CHARGER OPTIONS	Type: 15W Switch-Mode Power Supply Input: 100V-240V 50Hz-60Hz 0.6A Output: DC 15V 1A 15W
	Type: 50W Switch-Mode Power Supply Input: 100V-240V 50Hz-60Hz 1.2A Output: DC 15V 3.3A 50W
	Type: 120W Switch-Mode Power Supply Input: 100V-240V 50Hz-60Hz 1.8A Output: DC 15V 8A 120W

IP Intellectual Properties	NEOZ Cordless Lamps are covered by Design Registrations, Software Copyrights and Patent Pending.
--------------------------------------	--------------------------------------------------------------------------------------------------

WARRANTY

NEOZ warrants the products sold by it to be free from defects in materials and workmanship for a period of 5 years from the date of purchase.

NEOZ shall repair or replace any part which is found to be defective within the warranty period. This warranty extends only to the original purchasers who acquire the new product from Neoz or its authorized resellers. In no event shall NEOZ be liable for any claim made outside the warranty period or for any other claims or damages' including but not limited to, claims for faulty design, negligent or misleading advice, incidental or consequential damages or injury to any other person, corporation or entity.

The warranty shall not apply where such repair or parts replacement is required because of accident, neglect or misuse, or where equipment is modified, installed or repaired otherwise than in accordance with NEOZ's maintenance and servicing instructions, or where any component or accessory not supplied by NEOZ is attached. This warranty does not include consumables such as Battery Packs or Light sources.

Our battery manufacturers warrant their batteries to be free from defects in workmanship and material under normal use and service conditions for a period of one year after the original date of purchase. However, this warranty does not warrant the effective life (length of service) of the battery since the effective life of a battery is primarily determined by the usage patterns and the quality and care given over the battery's lifetime.

All claims are limited to the repair or the replacement of the products only and do not include transportation charges.

SERVICING & PARTS

As the designers and manufacturers of the Cordless Lamp range, NEOZ provides a complete replacement parts and servicing facility. Please contact us:

20 Tepko Road
Terrey Hills NSW 2084
Sydney Australia

T +612 98105520
F +612 95551054
E service@neoz.com.au

For your local distributor, please refer to
www.neoz.com/contact-us

www.neoz.com

All rights reserved. No part of this publication may be reproduced in any form or by any means without the prior written permission of NEOZ PTY LTD. Specifications are subject to change without prior notice.
Copyright © 2021 by NEOZ PTY LTD, Sydney, Australia

NEOZ and NEOZ Logo are registered trademarks of NEOZ PTY LTD.

10/2021
Printed in Australia